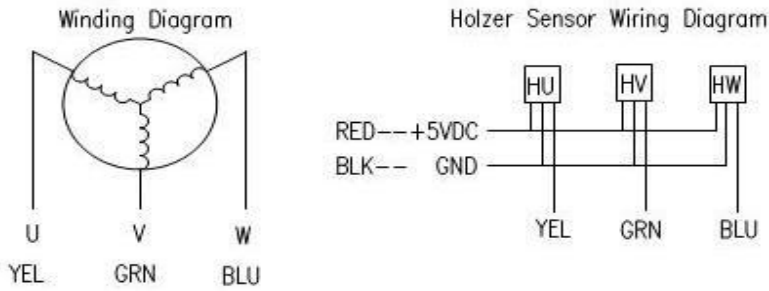
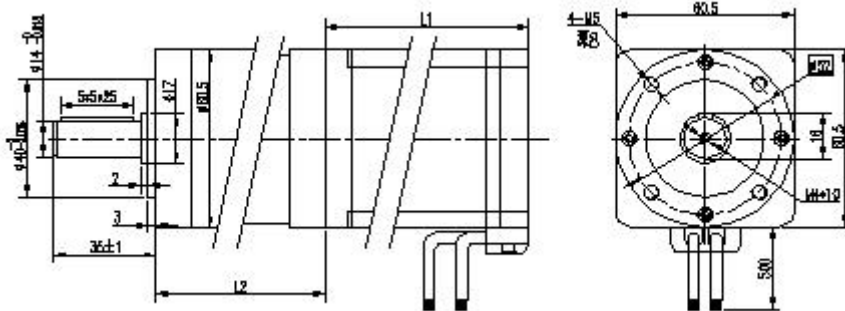


Wiring Diagram



Appearance Size & Motor Installation



Motor Electrical Specification

Motor Model	DG605-78W	DG605-156W	DG605-234W
Rated Voltage(VDC)	48	48	48
Rated Speed(Rpm)	3000	3000	3000
Rated Torque(N.m)	0.25	0.5	0.75
Rated Power(W)	78	156	234
L1 Length(mm)	66	87	108

Gearbox Electrical Specification

Reducer Series	1	2
Transmission efficiency	95%	90%
Max radial load	580N	580N
Max axial load	340N	340N
Transmission torque	25N.m	40N.m
Reduction Ratio	5,10	15,20,25,30,40,50
L2 Length(mm)	58	75

- * Note: We can manufacture products according to customer's requirements.
Optional accessory is the encoder and brake to match this product.
- * Contact sales@ichmo.com.