

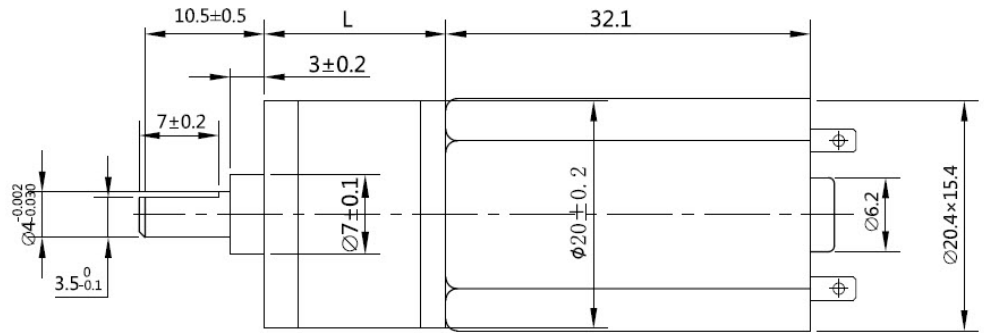
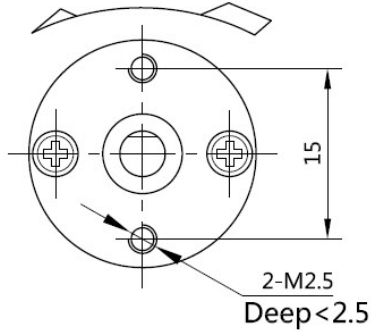
DC SPUR GEAR MOTOR

DS202A2-01&02



Appearance Size

DIRECTION OF ROTATION



Gearbox Specifications

| Number of Stages | 3 | 4 | 5 | 6 | 7 |
|------------------------|------|-------|------|------|-------|
| Reduction Ratio | 10 | 25 | 50 | 100 | 250 |
| | 12.5 | 31.25 | 62.5 | 125 | 312.5 |
| Length of Gearbox (mm) | 16.0 | | 17.5 | 19.0 | 20.5 |

DC Motor + Gearbox Specifications

| Model | Rated Voltage (V) | Rated Torque (kg.cm) | Rated Speed (rpm) | Rated Current (mA) | Output Power (mW) | Torque at Stall (Kg.cm) | Current at Stall (mA) | No Load Speed (rpm) | No Load Current (mA) |
|-------------|-------------------|----------------------|-------------------|--------------------|-------------------|-------------------------|-----------------------|---------------------|----------------------|
| D202-005010 | 6.0 | 0.5 | 190 | 450 | 1000 | 2.0 | 2000 | 240 | 80 |
| D202-005010 | 12.0 | 1.8 | 65 | 400 | 1200 | 4.5 | 1800 | 80 | 90 |
| D202-005010 | 6.0 | 3.9 | 20 | 450 | 800 | 6.0 | 2000 | 25 | 120 |
| D202-005010 | 12.0 | 3.5 | 7 | 90 | 250 | 8.0 | 500 | 9 | 40 |
| D202-005010 | 24.0 | 6.5 | 15 | 180 | 1000 | 8.0 | 800 | 19 | 50 |

* Specification can be customized as the inquiry. Contact: sales@ichmo.com